

Gordon Head Road @ Feltham Road

Tuesday, September 25, 2018

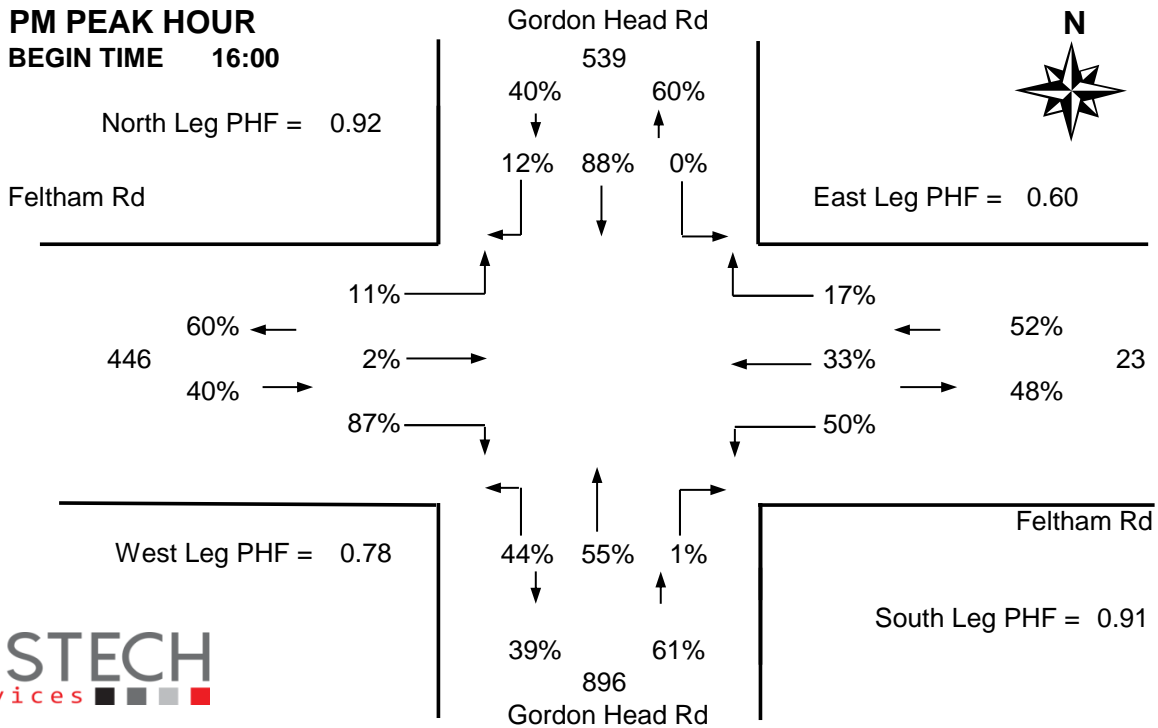
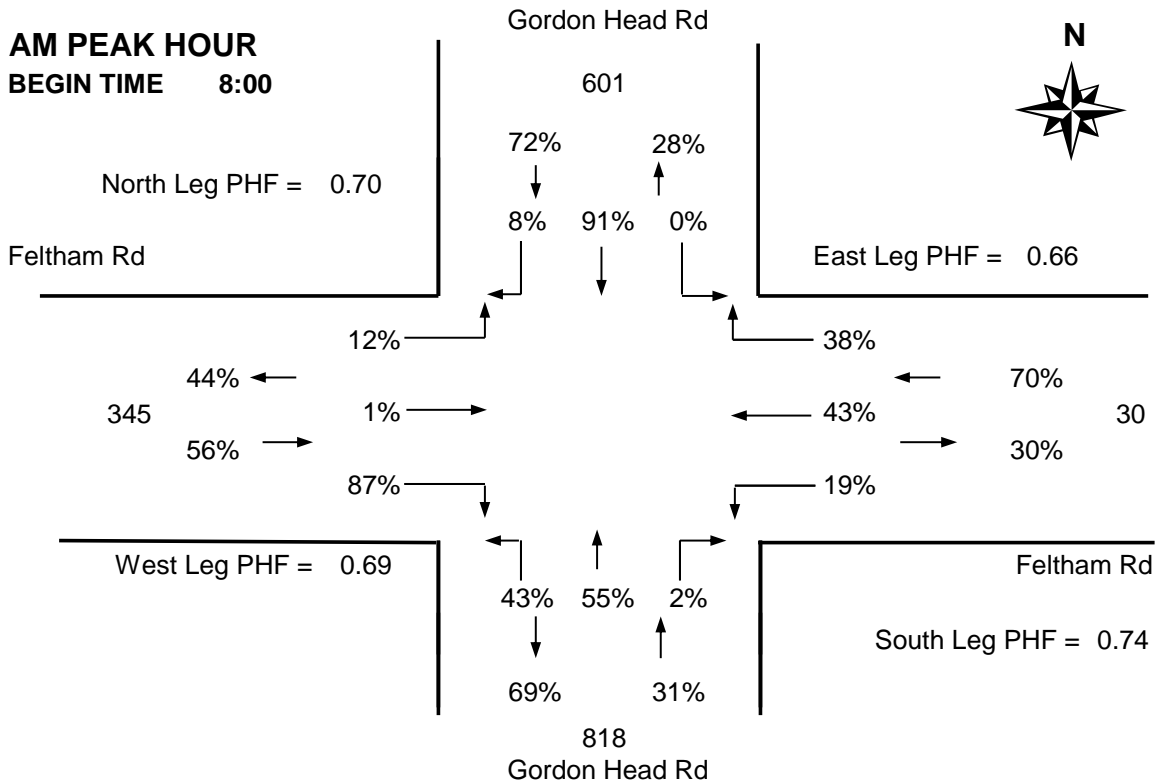


The data presented here is for information purposes only and should not be considered authoritative for construction, geotechnical, engineering, navigational, legal, or other site-specific uses. The information shared is owned by the Transportation Division of the Engineering Department at the District of Saanich. Accuracy is not guaranteed.

DISTRICT OF SAANICH 2018 TRAFFIC COUNTS

Major Route: Gordon Head Road
Minor Route: Feltham Road
Date: Tuesday, September 25, 2018
Filename: Gordon Head@Feltham-Sep25-2018.xls

Station #: TIN000310
Intersection Type: 4-leg
East/West Route: Feltham Road
Weather: Clear and dry



DISTRICT OF SAANICH 2018 TRAFFIC COUNTS

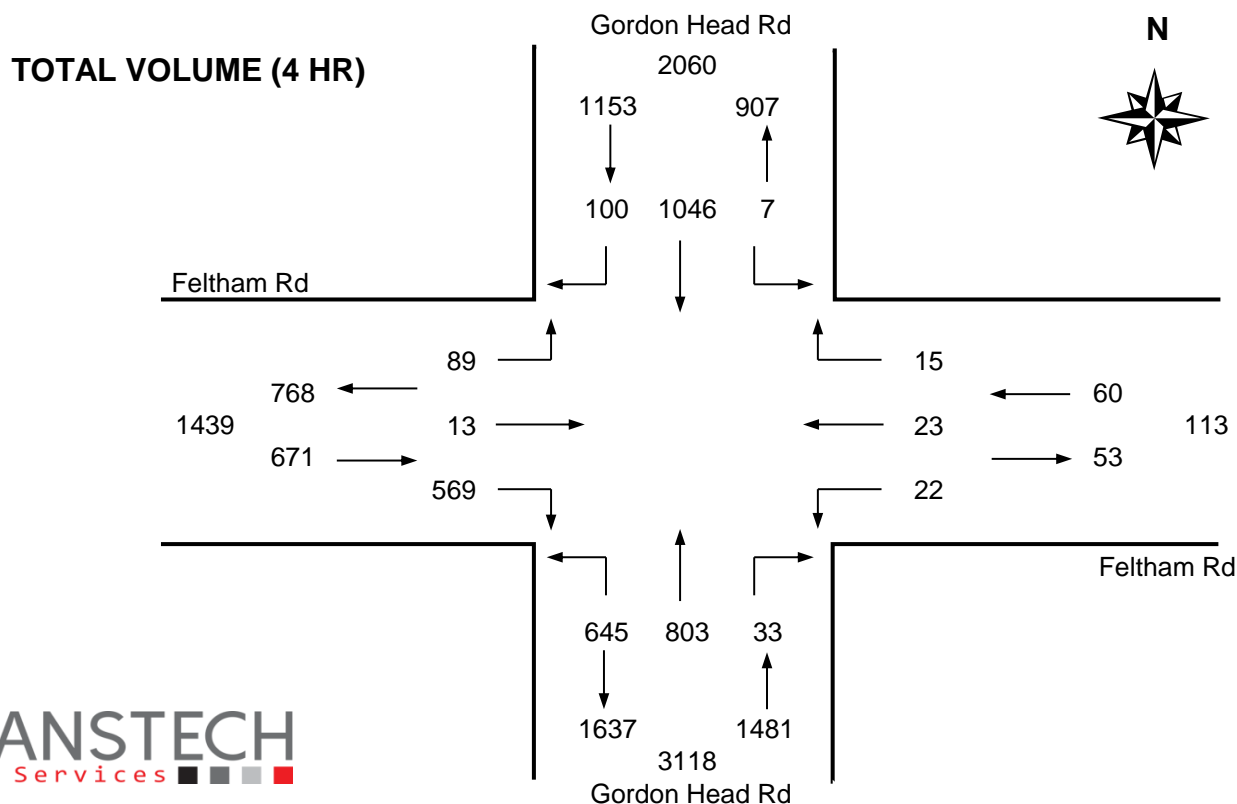
Major Route: Gordon Head Road
Minor Route: Feltham Road
Date: Tuesday, September 25, 2018
Filename: Gordon Head@Feltham-Sep25-2018.xls

Station #: TIN000310
Intersection Type: 4-leg
East/West Route: Feltham Road
Weather: Clear and dry

Comments: Count ID-2018142

Vehicle Data

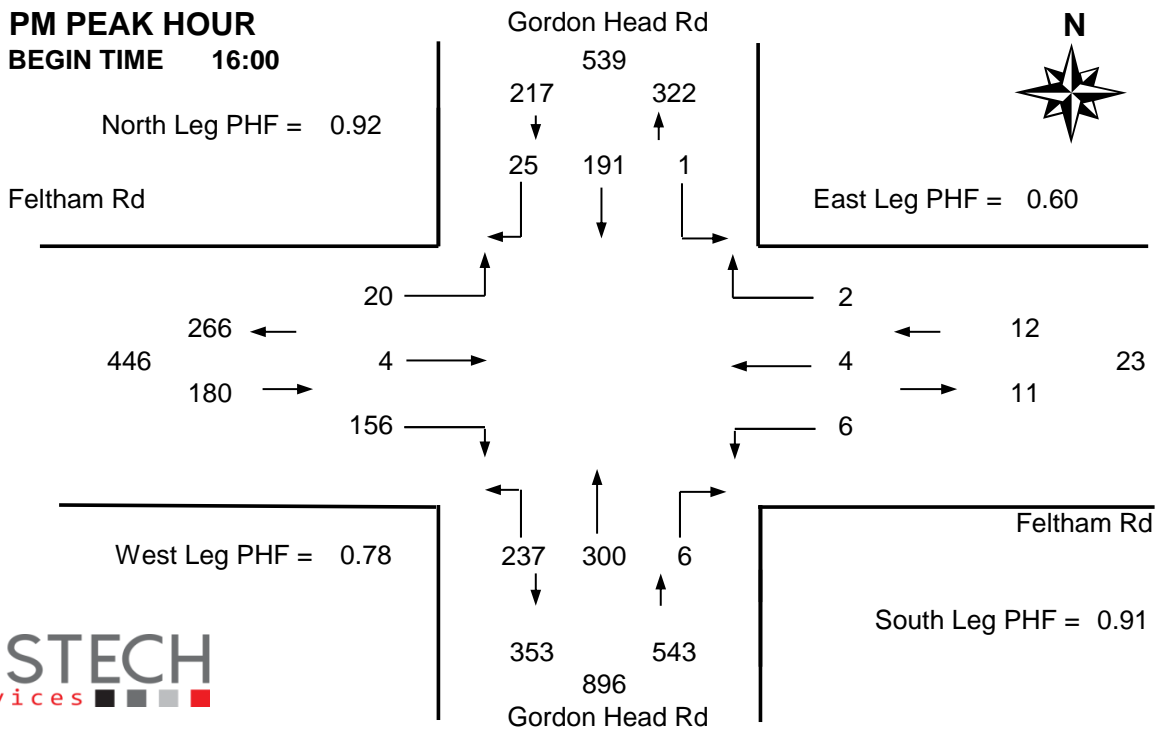
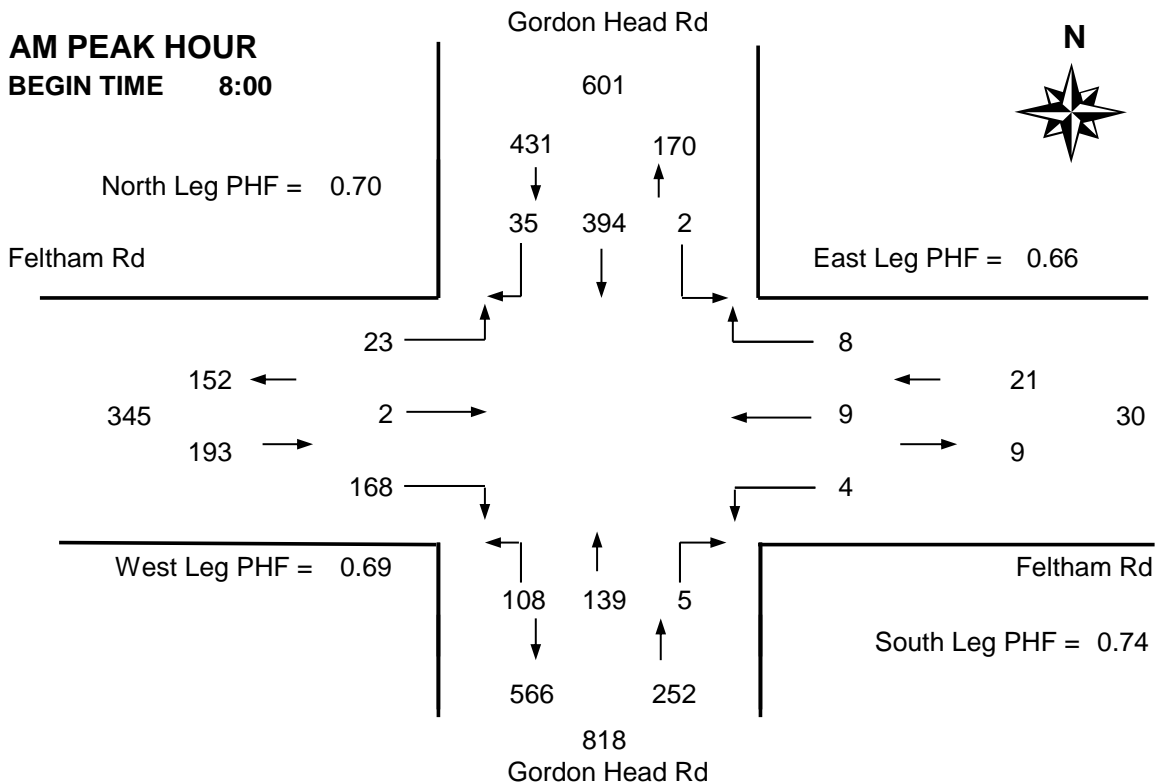
Time Period Starting	Gordon Head Rd			Gordon Head Rd			Feltham Rd			Feltham Rd			15 Min Total	Hourly Total	Pedestrians			
	From North			From South			From West			From East					N	S	W	E
	Left	Thru	Right	Left	Thru	Right	Left	Thru	Right	Left	Thru	Right						
7:30	0	59	2	17	22	0	5	0	30	2	0	0	137	-	0	3	2	1
7:45	0	97	5	17	22	3	4	0	28	2	2	0	180	-	0	3	4	3
8:00	1	147	7	18	27	1	6	0	64	2	4	2	279 +	-	0	8	7	4
8:15	0	96	13	32	31	1	7	1	46	0	4	1	232 *	828	0	13	3	10
8:30	0	68	9	30	52	3	5	1	26	2	1	4	201 *	892	0	4	1	4
8:45	1	83	6	28	29	0	5	0	32	0	0	1	185 *	897	0	8	0	5
9:00	1	85	11	19	24	2	3	1	41	3	3	1	194	812	0	4	4	6
9:15	1	56	4	30	24	3	4	3	34	1	0	1	161	741	0	0	2	2
Total	4	691	57	191	231	13	39	6	301	12	14	10	1569	-	0	43	23	35
Pk Hr	2	394	35	108	139	5	23	2	168	4	9	8	897 *	-	0	33	11	23
Pk Hr Factor	0.50	0.67	0.67	0.84	0.67	0.42	0.82	0.50	0.66	0.50	0.56	0.50	0.80	* = Peak hour + = Peak 15 minutes				
	0.70			0.74			0.69			0.66								
15:30	0	36	5	57	60	5	6	2	21	0	2	0	194	-	0	2	1	2
15:45	1	35	5	46	66	2	6	0	21	3	2	2	189	-	0	2	2	2
16:00	0	54	5	62	58	1	5	1	36	3	1	1	227 *	-	0	1	2	1
16:15	0	44	4	49	75	1	4	1	53	0	3	0	234 *	844	0	5	0	1
16:30	1	44	10	60	85	2	9	2	35	2	0	0	250 +	900	0	3	4	0
16:45	0	49	6	66	82	2	2	0	32	1	0	1	241 *	952	0	3	3	1
17:00	0	47	3	56	71	3	10	1	33	1	1	1	227	952	0	2	1	4
17:15	1	46	5	58	75	4	8	0	37	0	0	0	234	952	0	2	2	2
Total	3	355	43	454	572	20	50	7	268	10	9	5	1796	-	0	20	15	13
Pk Hr	1	191	25	237	300	6	20	4	156	6	4	2	952 *	-	0	12	9	3
Pk Hr Factor	0.25	0.88	0.63	0.90	0.88	0.75	0.56	0.50	0.74	0.50	0.33	0.50	0.95					
	0.92			0.91			0.78			0.60								



DISTRICT OF SAANICH 2018 TRAFFIC COUNTS

Major Route: Gordon Head Road
Minor Route: Feltham Road
Date: Tuesday, September 25, 2018
Filename: Gordon Head@Feltham-Sep25-2018.xls

Station #: TIN000310
Intersection Type: 4-leg
East/West Route: Feltham Road
Weather: Clear and dry



DISTRICT OF SAANICH 2018 TRAFFIC COUNTS

Major Route: Gordon Head Road
Minor Route: Feltham Road
Date: Tuesday, September 25, 2018
Filename: Gordon Head@Feltham-Sep25-2018.xls

Station #: TIN000310
Intersection Type: 4-leg
East/West Route: Feltham Road
Weather: Clear and dry

Comments: Count ID-2018142

Bicycle Data

Time Period Starting	Gordon Head Rd			Gordon Head Rd			Feltham Rd			Feltham Rd			15 Min Total	Hourly Total
	From North			From South			From West			From East				
	Left	Thru	Right	Left	Thru	Right	Left	Thru	Right	Left	Thru	Right		
7:30	0	3	0	0	2	0	0	0	6	0	0	0	11	-
7:45	0	0	0	1	1	0	0	0	8	0	0	0	10	-
8:00	0	7	0	0	0	0	0	0	7	0	0	0	14	-
8:15	0	11	0	1	1	0	0	1	17	0	0	0	31 +	66
8:30	0	2	0	1	0	0	0	1	6	0	0	0	10 *	65
8:45	0	4	0	1	1	0	0	2	7	0	0	0	15 *	70
9:00	0	6	0	1	0	0	0	0	10	0	0	0	17 *	73
9:15	0	4	0	3	0	0	0	0	10	0	0	0	17	59
Total	0	37	0	8	5	0	0	4	71	0	0	0	125	-
Pk Hr	0	23	0	4	2	0	0	4	40	0	0	0	73 *	-
15x4	0	44	0	4	4	0	0	8	68	0	0	0	124 +	-

15:30	0	1	1	6	4	0	0	0	2	0	0	0	14	-
15:45	0	2	1	7	1	0	0	0	1	0	0	0	12	-
16:00	0	1	1	4	0	0	0	0	1	0	0	0	7	-
16:15	0	0	0	2	3	2	2	0	1	0	1	0	11	44
16:30	0	0	0	11	2	0	0	0	1	0	0	0	14 *	44
16:45	0	1	0	6	1	0	0	0	3	0	0	0	11 *	43
17:00	0	1	0	6	4	1	1	0	2	0	1	0	16 *	52
17:15	0	1	1	14	1	0	1	0	1	0	1	0	20 +	61
Total	0	7	4	56	16	3	4	0	12	0	3	0	105	-
Pk Hr	0	3	1	37	8	1	2	0	7	0	2	0	61 *	-
15x4	0	4	4	56	16	4	4	0	12	0	4	0	80 +	-

4 Hr	0	44	4	64	21	3	4	4	83	0	3	0	230	460
-------------	----------	-----------	----------	-----------	-----------	----------	----------	----------	-----------	----------	----------	----------	------------	------------

PEAK HOUR SUMMARY

